

LED导光柱 LED PIPE



用途：可快速将LED固定机器面板上，使LED导光于机壳面板上，使光度均匀、柔和。

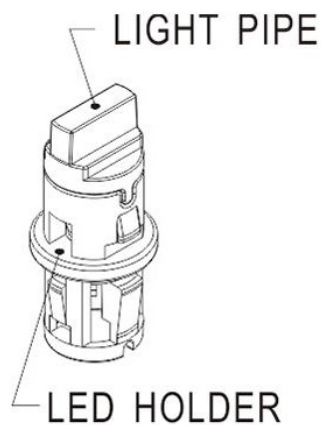
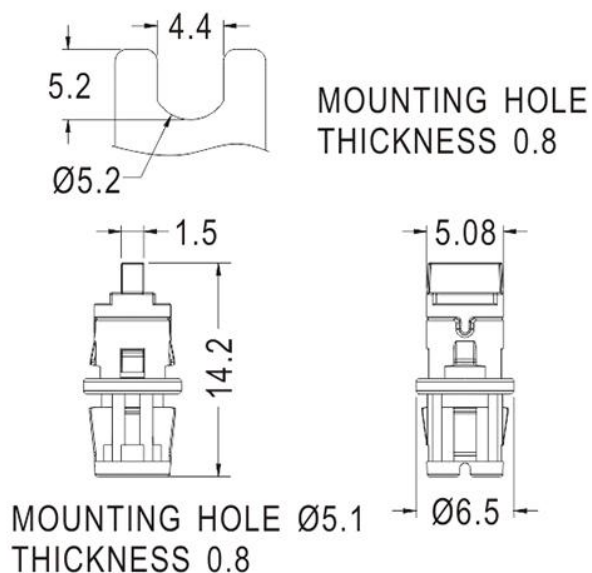
MATERIAL : NYLON 66(UL)/PC(UL)

FLAME CLASS : 94V-0,94V-2

COLOR : BLACK,TRANSPARENT

UNIT : mm

2



- ◆ 適用於Ø3 LED有帽緣款
- ◆ 適用於2PIN,3PIN

LEDLP-239-1

MATERIAL: NYLON 66(UL)
 FLAME CLASS:94V-2
 COLOR:BLACK
 UNIT:mm

MOUNTING HOLE THICKNESS 0.8

LEDLP-239-2

MATERIAL: PC(UL)
 FLAME CLASS:94V-2
 COLOR:TRANSPARENT
 UNIT:mm

MOUNTING HOLE

PART NO	Part NO.	PACKAGE
LEDLP-239	LEDLP-239-1	1000
	LEDLP-239-2	
	上述零件可以单订购	

LEDLP-239使用说明书