

# LED导光柱 LED PIPE



用途：使LED导光于机壳面板上，使光度均匀、柔和。

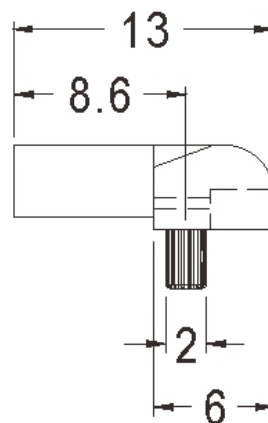
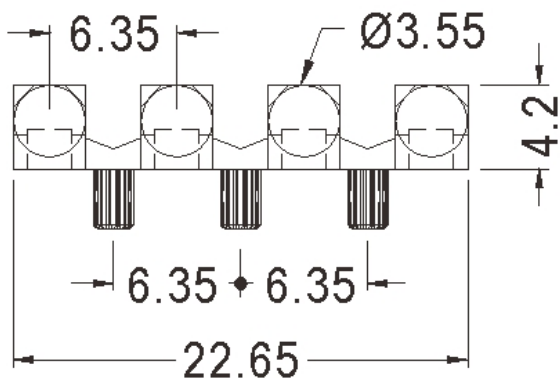
MATERIAL : PC(UL)

FLAME CLASS : 94V-0,94V-2

COLOR : TRANSPARENT

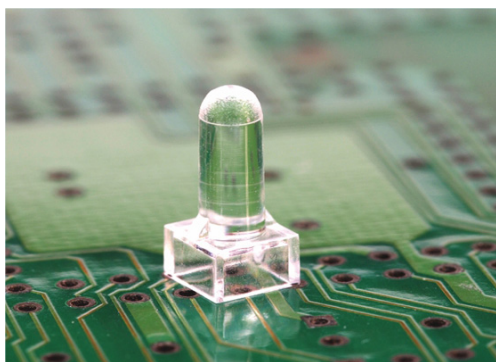
UNIT : mm

2



PART NO	PACKAGE
LEDLP-218	1000

# LED导光柱 LED PIPE



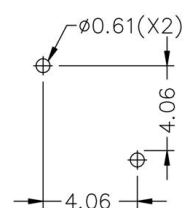
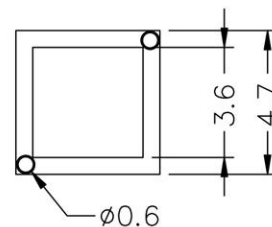
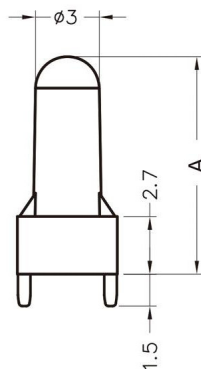
用途：使LED导光于机壳面板上，使光度均匀、柔和。

MATERIAL : PC(UL)

FLAME CLASS : 94V-0

COLOR : TRANSPARENT

UNIT : mm



MOUNTING HOLES

PART NO	A	PACKAGE
LEDLP-226	7.6	1000
LEDLP-266	10.2	1000
LEDLP-227	11.4	1000
LEDLP-228	12.7	1000
LEDLP-229	16.5	1000
LEDLP-281	5.1	1000
LEDLP-282	8.9	1000
LEDLP-283	21.5	1000